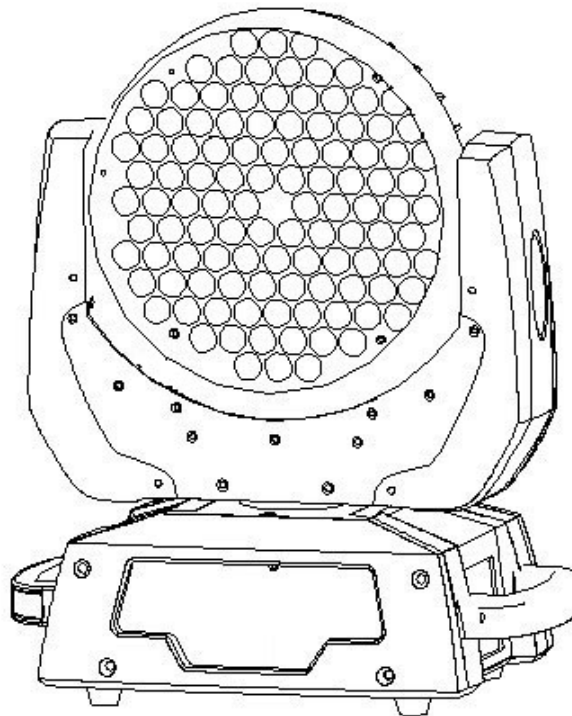




Elektralite LED Pro Line Pancake

USER MANUAL (Version 2)



**ElektraLED (a division of Group One),
70, Sea Lane, Farmingdale, NY11735, U.S.A.
T. +1 (516)-249-3662. F. +1 (516)-249-8870
WWW.ELEKTRALED.COM**

1. Unpacking

Thank you for choosing the **Elektralite LED Pro Line Pancake** fixture. For your own safety, please read this manual before installing the device. This manual covers important information on installation and applications. Please keep this manual for future reference.

Elektralite LED Pro Line Pancake moving wash uses 108 high powered 3 watt LEDs in a balanced arrangement giving you incredible output. Please unpack it carefully and check whether it was damaged in shipping.

The following items should be in the box with the fixture:-

- 20 feet of Powercon extension cable
- DMX 5 pin male to 5 pin female cable
- The bracket to mount the fixture to a “c” clamp

2. Safety Instructions.

This device has left the factory in perfect condition. In order to maintain this condition and to ensure a safe operation, it is absolutely necessary for the user to follow the safety instructions and warning notes written in this user manual. **Elektralite LED Pro Line Pancake** is a high voltage fixture. Be careful when dealing with high voltages.

Please read this manual. If you do not read this manual and damages occur to Elektralite LED Pro Line Pancake, then it could void the warranty.

During shipping, **Elektralite LED Pro Line Pancake** may have been exposed to high temperature changes or humidity changes. So, as a precaution, do not switch **Elektralite LED Pro Line Pancake** on immediately. Condensation can damage **Elektralite LED Pro Line Pancake** so leave **Elektralite LED Pro Line Pancake** switched off until it has reached room temperature.

The electric connection must carry out by a qualified person and it is absolutely essential that **Elektralite LED Pro Line Pancake** be grounded.

Always disconnect **Elektralite LED Pro Line Pancake** from the power source, when the device is not in use or before cleaning it. Only unplug **Elektralite LED Pro Line Pancake** from the power cord. Never pull out the plug out by pulling on the power cord.

Please keep **Elektralite LED Pro Line Pancake** away from children and the general public. Please be intelligent and use common sense when operating **Elektralite LED Pro Line Pancake**.

3. General Guidelines.

Elektralite LED Pro Line Pancake is a lighting fixture for professional use on stages, in clubs, theatres, etc.

Elektralite LED Pro Line Pancake should only be operated at between 120 to 240 volts and only indoors.

Elektralite LED Pro Line Pancake should not be operated 24/7 (24 hours a day; 7 days a week).

Elektralite LED Pro Line Pancake needs operation breaks to ensure that it will work for a long time without problems. Please do not shake **Elektralite LED Pro Line Pancake** and avoid using brute force when installing or operating it.

When choosing the location to install **Elektralite LED Pro Line Pancake**, please make sure that it is not exposed to extreme heat, moisture or dust. The minimum distance between **Elektralite LED Pro Line Pancake** and the illuminated surface must be more than 3 feet.

Always mount **Elektralite LED Pro Line Pancake** with an appropriate safety cable. If you use the quick lock cam to hang **Elektralite LED Pro Line Pancake**, please make sure the 4 quick lock fasteners are locked into position correctly.

Operate **Elektralite LED Pro Line Pancake** only when you are familiar with the features on the fixture. Do not permit operation by persons not qualified for operating it.

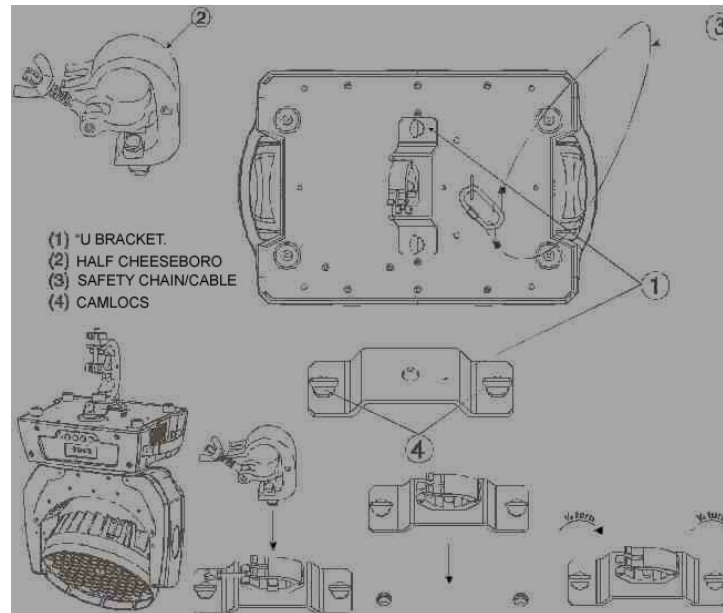
All modifications to **Elektralite LED Pro Line Pancake** will invalidate the warranty. There are

absolutely no exceptions.

If **Elektralite LED Pro Line Pancake** is operated in any way different to the one described in this manual, **Elektralite LED Pro Line Pancake** maybe damaged and the guarantee will be void.

4. Installation

Please refer to the picture below:-



Screw the half cheeseboro or “C” clamp (not provided with the fixture) onto the U bracket supplied with **Elektralite LED Pro Line Pancake**.

Insert the quick-lock fasteners of the U bracket into the respective holes on the bottom of **Elektralite LED Pro Line Pancake**. Tighten the Camloc fasteners fully clockwise. Please do not use pliers, crest wrenches and the like to turn the Camlocs. If you do, there is very real likelihood that you will break them. (These can be replaced at a substantial cost to your boss!)

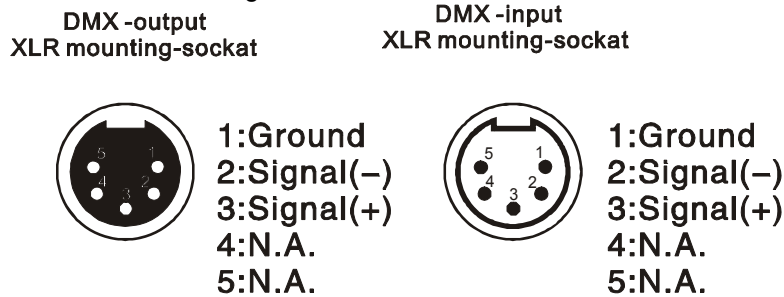
Pull the safety cable through the bracket on the bottom of the base and over the trussing or any secondary fixing point. Do not clamp the cable to the U bracket or clamp. That is not a secondary safety point.

A secondary safety point is any point that will adequately hold **Elektralite LED Pro Line Pancake** if the U brackets, cheeseboro or the fixtures base breaks or fails. Then the safety cable would be the backup and stop the fixture from falling to the ground.

5. DMX-512 Control Connection

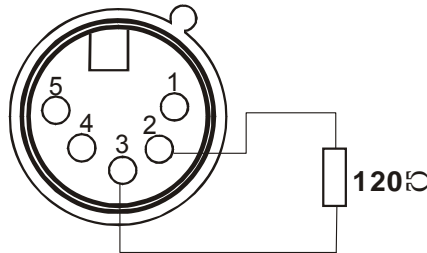
Connect the provided XLR cable to the female 5-pin XLR output of your **Elektralite CP 20** or other DMX controller. The other end should be connected to the male 5-pin XLR input of the **Elektralite LED Pro Line Pancake**. Then daisy-chain out of the first **Elektralite LED Pro Line Pancake** and into the next **Elektralite LED Pro Line Pancake** or other dmx device. Never “Y” split the DMX connection.

If you need more cable, then it should be two core, screened cable fitted with a 5 pin XLR input and output connector. Please refer to the diagram below.

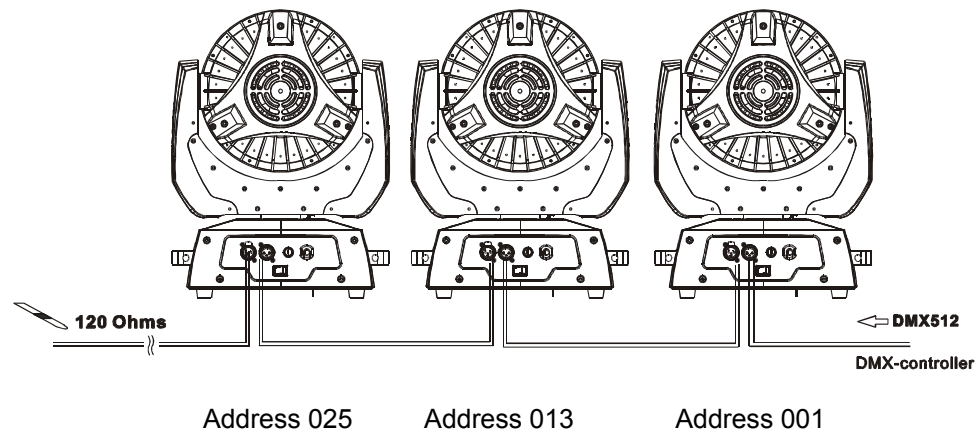


DMX-512 connection with DMX terminator

For installations where the DMX cable has to run a long distance or is in an electrically “noisy” environment, it is recommended that a DMX terminator is used. This helps prevent corruption of the digital control signal. The DMX terminator is simply a 5 pin XLR plug (male) with a 120 Ω resistor connected between pins 2 and 3. It is then plugged into the output XLR socket of the last **Elektralite LED Pro Line Pancake** or other dmx device in the chain. Please see illustration below.



DMX line



6. Powercon Connectors.

The **Elektralite LED Pro Line Pancake** is fitted with two Powercon connectors. The blue one is input while the white one is the output. In the box with the fixture is a 20 feet long Powercon male to female extension cable.

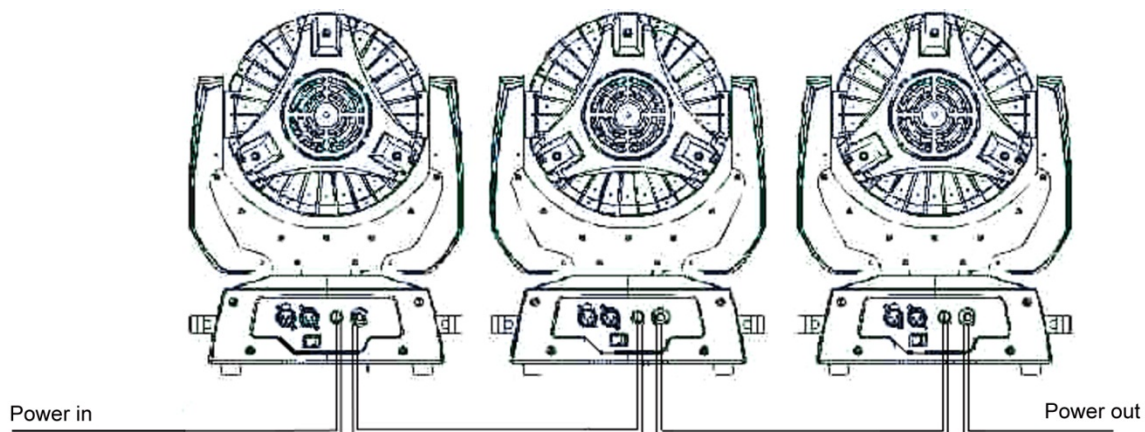
If this is the first fixture in the "line" then remove the white Powercon connector and fit a 120 volt Edison plug (not supplied).

From then on the Powercon extension cables are used for subsequent fixtures.

Warning :- The Powercon is a connector without breaking capacity. In other words the Powercon should not be connected or disconnected under load or live.

The above warning was publish on Powercon's own website.

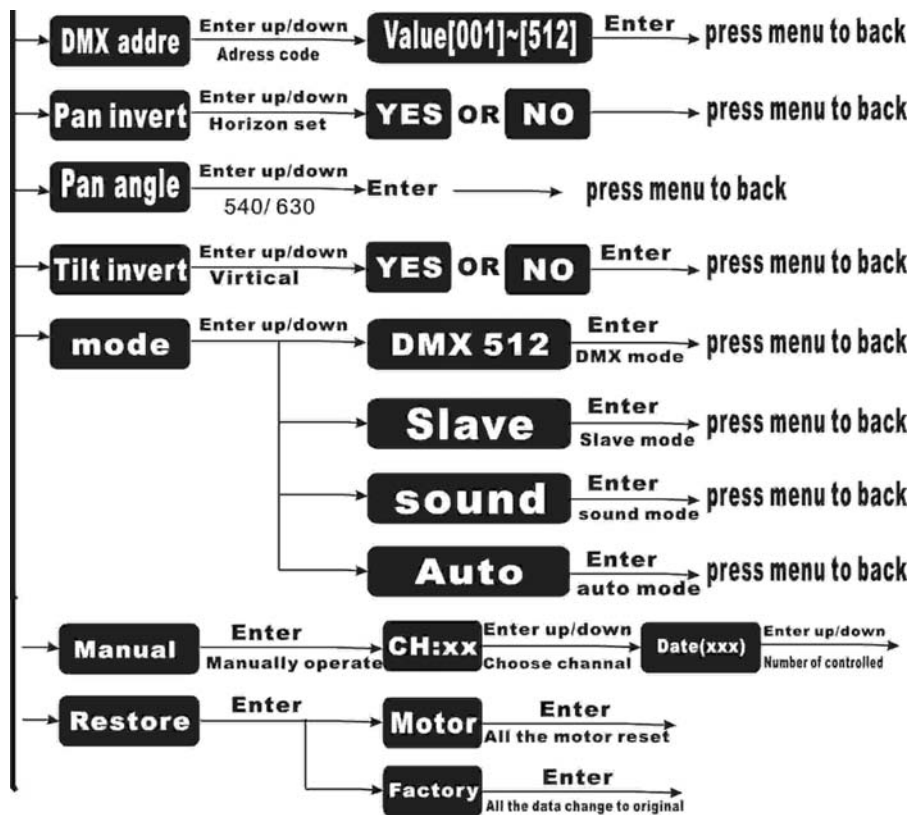
Please only disconnect the Powercon connector after the on/off switch is turned OFF.



There can be up to 7 **Elektralite LED Pro Line Pancake** in the daisy chained line. The line is fused protection against more than this quantity being daisy chained. So do **NOT** exceed this number of fixtures.



7. LCD Display Operations



The display screen will turn off after 30 seconds if no button is pressed on the display.

8. Cleaning and maintenance.

Now ignoring maintenance and cleaning is very good way of creating problems "down the road" and many companies and installations do just that. However the net result is, no matter what the fixture, premature failure!

Changing the oil in a car most people do on a regular basis.

So with the fixtures regular maintenance it an excellent practice, if you want the fixtures to last.

So what is the maintenance for the fixture?

Clean the fans! That's really it!

Use a small vacuum cleaner and suck the dust and "fur balls" out.

Do not use a can of CO₂. That will just blast the dust and dirt everywhere!

The fans keep the LEDs cool and keep the electronics cool too.

Without the fans working efficiently and dust free, the fixture will fail and that will be a lot more costly than having someone vacuum the fixture on a regular basis.

How often should the fans be cleaned? It depends on where the fixture is located; in a very dusty atmosphere once a week. So check the fans on a regular basis, it may not need cleaned every week but a quick "visual inspection" should be done to see.

There are fans in the base and one in the head of the fixture. Clean all of them!

9. DMX Channel Assignments.

Channel	Function	Value	Description
1	Pan	0-540	Pan movement
2	Tilt	0-280	Tilt movement
3	Dimmer	0-100	Master dimmer 0-100%
4*	Strobe	000-006	No function
		007-065	Slow to fast strobe
		066-069	No function
		070-128	Pulse strobe from slow to fast
		129-132	No function
		133-191	Strobe fading in from slow to fast
		192-195	No function
		196-255	Strobe fading out from slow to fast
5	Red	0-100%	Intensity 0-100%
6	Green	0-100%	Intensity 0-100%
7	Blue	0-100%	Intensity 0-100%
8	White	0-100%	Intensity 0-100%
9	Speed	0-255	From fast to slow (use it in conjunction with dimming)
10	X axis speed from fast to slow		
11	Y axis speed from fast to slow		

12**	RGB Macros	000-004	No function
		005-044	Red at max output then Green fading up and Red fading down. Then Green fades down as Blue fades up. All are out at 036 DMX. Then at 040 DMX Red & Blue at max output. Both fade out by 044 DMX.
		045-049	No function
		050-094	Chases through all 4 colors RGBW. The speed of chase 050 DMX VERY slow to 094 DMX VERY fast.
		095-099	No function
		100-149	8 colors fading in and out. 100 DMX is the beginning of a slow fade rate with 149 DMX ending at a fast fade rate.
		150-154	No function
		155-166	Red at 155 DMX, immediately at max output; followed by Green fading up to max output which is reach at 166 DMX
		167-178	Green at 167 DMX, is at max output; followed by Red fading down to off at 178 DMX.
		179-190	Green at 179 DMX, is at max output; followed by Blue fading up to max output which is reached at 190 DMX.
		191-202	Blue at 191 DMX is at max output; followed by Green fading down to off at 202 DMX.
		203-214	Blue at 203 DMX, is at max output; followed by Red fading up to max output which is reached at 214 DMX
		215-226	Red at 215 DMX, is at max output; followed by Blue fading down to off at 226 DMX
		227-238	Red at 227 DMX is at max output; followed by Blue & Green fading up to max output for all at 238DMX.
		239-250	Red at 239 DXM is off instantly at 239 DMX then Red fades in from 240 DMX to 250 DMX. Green fades out from 240 DMX to 250 DMX.
		251-255	Red, Green and Blue at max output.
13***		000-127	No function
		128-255	Random Auto***
14		000-250251-255	No function Reset (after 3 seconds)

***When operating the strobe may sure the master dimmer (channel 3) is set to 75% (190 DMX value). This is imperative in order that the strobe to work correctly.**

****Make sure, before operating channel 12, that all colors [so channels 5 (red), 6 (green), 7 (blue) and 8 (white)] are at zero. Make sure channel 3, the master dimmer, is "on" (maximum, for example). Failure to do this will result in colors being combined and this will result in differences in the colors across fixtures. It could also result in strobing and resetting of fixtures as they will work in a random fashion.**

*****This means that the automatic program is random and is not the same from fixture to fixture. Each fixture has its own random program.**

10. Technical Specifications

108PCS 3W high power LEDs
50,000 hours lifespan and low power consumption
Smooth and precise resolution for PAN/TILT movement
540°/630° pan and 265° tilt movement
Scan position memory, auto reposition after unexpected movement
RGB color mixing system
LED shutter
LED dimming
LED rainbow effect
Macros effect
Strobe effect with 18 flashes per second and pulse effect
General dimming and blackout for all four colors
14 DMX channels
DMX512, master-slave and sound activated controllable or auto operation
Blue background LCD display

Input Voltage: AC90-260V 50-60Hz
LED Quantities: 24 red/28 green/28 blue/28 white Edison LEDs (3W)
Control Signal: DMX512, master-slave, sound activated or auto operation
Control Channel: 14 DMX Channels
Power Consumption: 344 W
Dimensions: Metric 350x260x350mm. Imperial 13.78" x 10.24" x 13.78"
Packing Dimensions: 445x310x435mm Imperial 17.52" x 12.20" x 17.13"
Net Weight: Metric 9kgs. Imperial 20 pounds
Gross Weight: Metric 11kgs Imperial 25 pounds

ElektraLED is a division of Group One. Group One and its divisions are constantly improving their product range and we reserve the right to make changes without prior notice.

Other Products.

ElektraLED has other great products that are manufactured under the Elektralite product line.

Go check out the website at www.myelektralite.com

A preview of the products include:-

Elektralite LED Pro Line. 1018. 18 of **QUAD** leds producing a perfect homogeneous color mixing.

Each LED has in-built **ALL 4 colors** (red, green, blue and white). The white is perfectly chosen to be the warm white, not normally associated with white in an led. The colors mix evenly across the entire light beam with no hot spots.



The Elektralite TurboFog (check out the ElektraFog too!)



A professional fog machine which comes with remote, 0 to 10 volts analog input and DMX input. It is simple to maintain and has a tremendous output.

The Elektralite TurboHazer (check out the ElektraHazer too!)



We were tired of expensive difficult to use Hazers! Meet the TurboHazer.
Comes with remote and an optional DMX input
Simple to use, maintain and in-expensive. Enough said!!